

# LSA-MDC

## MAGNETIC DRAWER & DOOR SWITCH

Project \_\_\_\_\_  
Location \_\_\_\_\_  
Quote/ Ref # \_\_\_\_\_

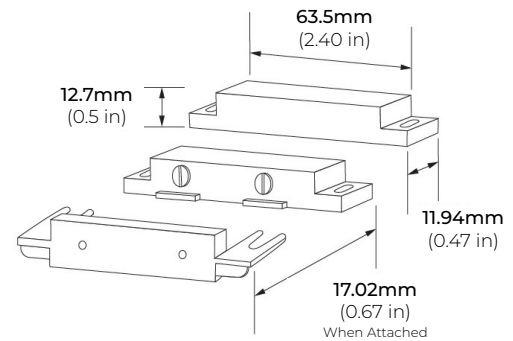
The **LSA-MDC** is a two part magnetic switch that when separated, turns on your light. Simply mount inside a drawer or cabinet door so the two parts are in contact with each other while closed. Upon opening, the the switch will turn the light on. Designed with slotted mounting holes for easy installation, adjust the distance between the magnet and sensor for the perfect fit.



### SPECIFICATIONS

CLASS 2	Yes
OPERATING VOLTAGE	300V (MAX)
MAX LOAD	3 Amp
OPERATING TEMPERATURE	-15°F ~ 160°F
MAX OPERATION GAP	15.88mm (0.63 in)
LOCATION	Dry
WARRANTY	3 Years
CERTIFICATIONS	UL, ULC Listed
DIMENSIONS	63.5 x 28.7 x 40.1mm (2.4 x 1.13 x 0.5") (LxWxH)

### DIMENSIONS



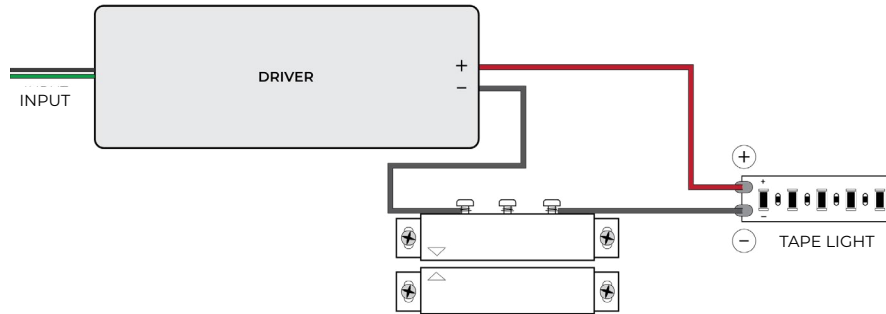
MODEL	FINISH
LSA-MDC	<b>WH</b> White
	<b>BR</b> Brown
	<b>GR</b> Gray
	<b>IV</b> Ivory

# LSA-MDC

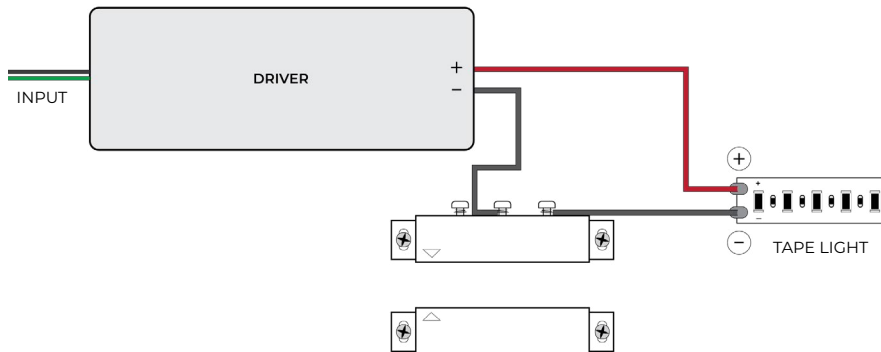
## MAGNETIC DRAWER & DOOR SWITCH

### WIRING GUIDE

- \* Attach and secure wires to the screws
- \* Mounting screws not included



POWER UPON CONNECTION



POWER UPON SEPARATION