

INSTALLATION GUIDE



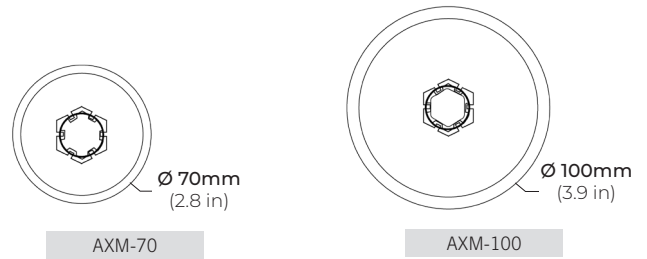
PRE-INSTALLATION

Suspended Mount

Power input is 120-277V. Confirm the source voltage is compatible.

Disconnect power source prior to installation.

DIMENSIONS



SAFETY

Read all instructions before installation.

These products may present a possible shock, serious injury, or death if improperly installed.



Product should be installed by a qualified electrician.



Product should be installed in accordance with these instructions and current electrical codes.

HORIZONTAL SUSPENSION INSTALLATION

AXM-HS

STEP 1

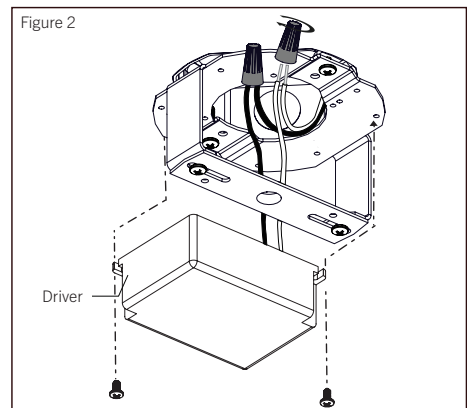
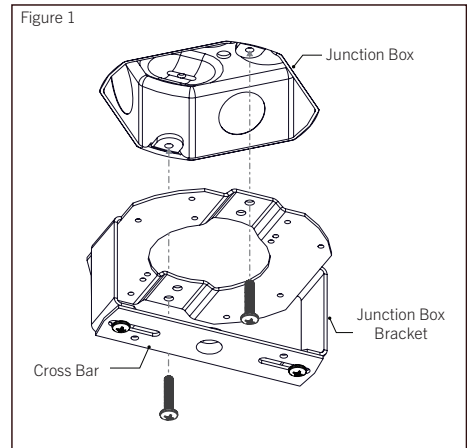
Install the Junction Box (not included) into the ceiling.
*Make sure that the power cord will reach from the junction box to the fixture.

STEP 2

Using the appropriate hardware (screws), attach the cross bar to the bracket. Attach the bracket to the junction box. (Figure 1)
Secure with screws.

STEP 3

Make wiring connections (refer to wiring diagram on pg.2) and attach the LED driver to the mounting bracket using two screws. (Figure 2)



INSTALLATION

STEP 4

Thread the cord from the pendant through the strain relief, pipe, canopy and center of the cross bar. Determine the final length of the pendant and trim the excess cord length. (Figure 3)

Leave enough cord to make connections inside the junction box.

*Factory recommends tying a backup knot above the cross bar

STEP 5

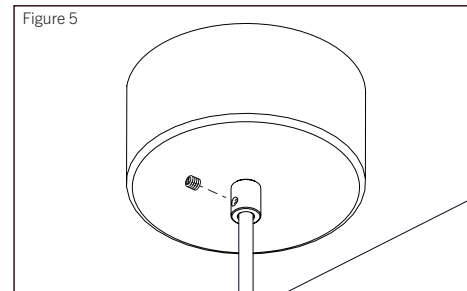
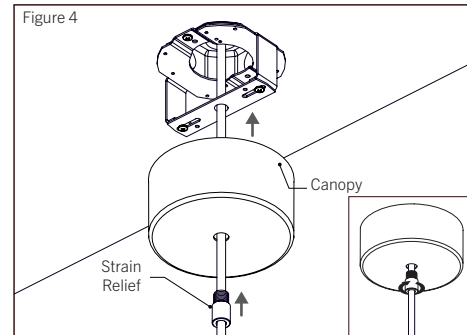
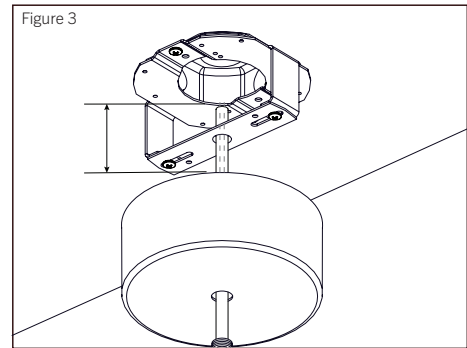
Slide the canopy cover into position on the ceiling, screwing the strain relief and threaded pipe into the crossbar. Screw until secure. (Figure 4)

*Factory recommends supporting the fixture weight by holding the cord in position while securing the canopy.

STEP 6

Secure the cord by tightening the nylon set screw in the side of the strain relief. (Figure 5)

*The connection between the cord and the pendant can be rotated to any desired position.



WIRING

