

# RGB DMX-SPI-XLR

## 5-CHANNEL RGB DMX TO SPI DECODER

**RGB-DMX-SPI-XLR** DMX decoder is designed with both SPI Controller or DMX Decoder Mode in one device. Featuring multiple input/ output ports, including XLR, RJ45 and screw DMX, the RDM bi-direction communication function allows for real time remote monitoring. A variety of features can be set via the visible numeric digital display and the buttons such as DMX address, programs for RGB and RGBW, and static or dynamic patterns.

Project \_\_\_\_\_

Location \_\_\_\_\_

Quote/ Ref # \_\_\_\_\_



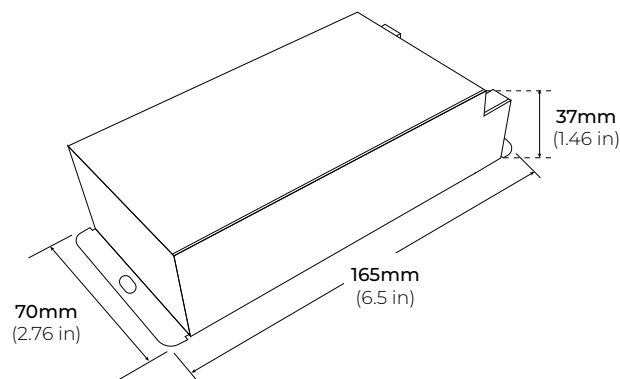
### SPECIFICATIONS

INPUT VOLTAGE	5-24V DC
INPUT SIGNAL	DMX512
OUTPUT SIGNAL	SPI (TTL) x 3
CONTROLLABLE PIXELS	Up to 900 SPI/ 170 DMX Pixels (RGB)
AMBIENT TEMPERATURE	-4°F (-20°C) ~ 113°F (45°C)
OPERATING TEMPERATURE	-4°F (-20°C) ~ 122°F (50°C)
CERTIFICATIONS	CE, RoHS
DIMENSIONS	6.5 x 2.76 x 1.46" (LxWxH)
WEIGHT	0.85 lbs
WARRANTY	5-Year Limited

### FEATURES

- 24V DC Constant Voltage
- DMX512
- Durable, Metal Casing
- Control up to 170 pixels in DMX Decoder Mode
- XLR3, RJ45, and DMX Terminals
- 5-Year Limited Warranty

### DIMENSIONS

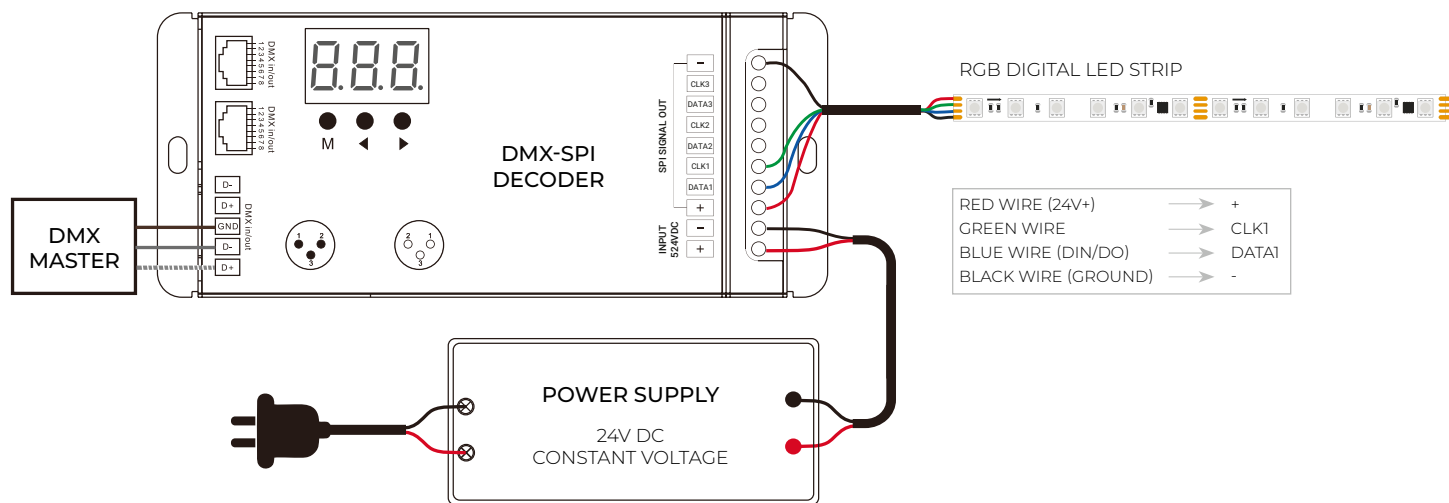


<b>MODEL</b>	
<b>RGB-DMX-SPI-XLR</b>	

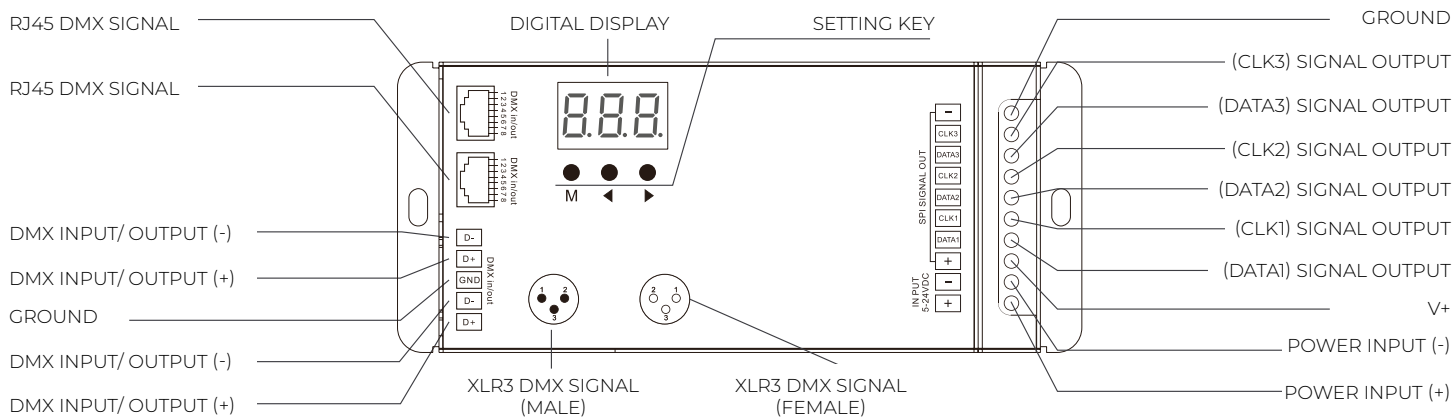
# RGB DMX-SPI-XLR

## 5-CHANNEL RGB DMX TO SPI DECODER

### WIRING



### OPERATION



# RGB DMX-SPI-XLR

## 5-CHANNEL RGB DMX TO SPI DECODER

### COMPATIBLE NON-DIMMING DRIVERS

#### PSHK SERIES

NON-DIMMING CONSTANT VOLTAGE WITH JUNCTION BOX

PSHK-30W-24V	CLASS 2	6.5" X 3.6" X 1.02"
PSHK-60W-24V	CLASS 2	7.4" X 3.62" X 1.02"
PSHK-96W-24V	CLASS 2	8.66" X 3.66" X 1.61"
PSHK-150W-24V		10.24" X 4.06" X 1.81"
PSHK-200W-24V		10.24" X 4.06" X 1.81"
PSHK-288W-24V	CLASS 2	11.85" X 4.25" X 1.82"
PSHK-300W-24V		10.24" X 4.25" X 1.81"

