

LSMW-30SE

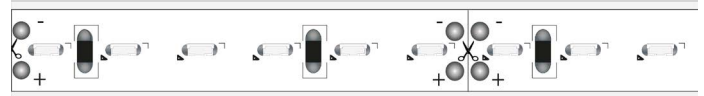
3.0W SIDE-EMITTING OUTDOOR FLEXIBLE LED STRIP

Project _____

Location _____

Quote/ Ref # _____

LSMW-30SE is an outdoor flexible LED strip that features a light projection that shines parallel (90°) to the application surface. It is specifically designed as a hidden light source that provides reveal lighting or as a grazing effect on a surface. Perfect for coves, curved applications, domes, counters and tight spaces.



SPECIFICATIONS

| | |
|-----------------------|--------------------------------|
| INPUT VOLTAGE | 24V DC |
| POWER CONSUMPTION | 3W per Ft. |
| NO. OF LEDS | 36 LEDs per Ft. |
| LUMEN OUTPUT | 204 Lm/Ft. |
| CRI | 95+ |
| COLOR TEMPERATURE | 27K / 30K / 40K / 50K / 60K |
| DIMMING | MLV, ELV, 0-10V and TRIAC |
| MAXIMUM RUN LENGTH | 24 Ft. |
| CUTTABLE | Every 1.96 in (49.9mm) |
| BINNING | 1.5 Step Macadam Elipse |
| OPERATING TEMPERATURE | -40°F (-40°C) ~ +140°F (+60°C) |
| BEAM ANGLE | 120° |
| IP RATING | IP65 wet location (outdoor) |
| CERTIFICATIONS | UL Listed, TITLE 24 JA8 |
| LUMEN MAINTENANCE | 50,000 Hrs. |

LUMENS

| CCT | LM/ FT | CRI | R9 | R13 |
|-------|--------|-----|----|-----|
| 2700K | 188 | 89 | 44 | 996 |
| 3000K | 201 | 90 | 65 | 94 |
| 4000K | 204 | 93 | 86 | 93 |

*Approved for closet / storage space installation per NEC 410.16(A)(3) and 410.16(C)(5)

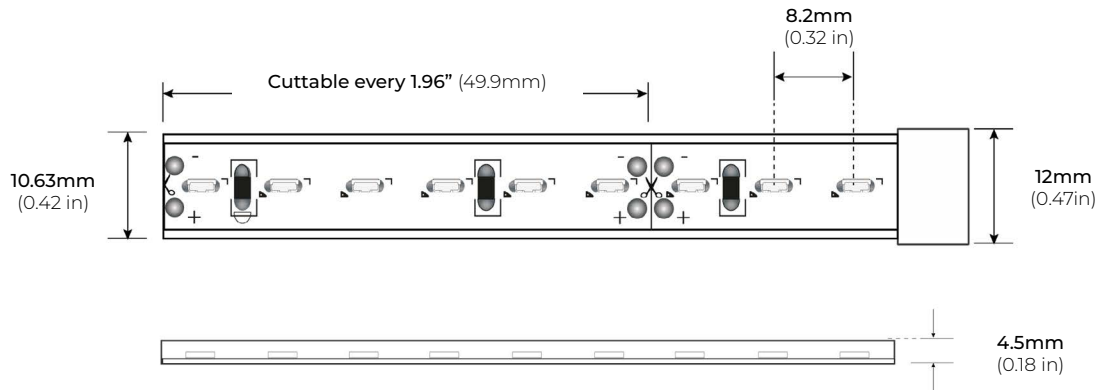


| MODEL | COLOR TEMP | LENGTH | VOLTAGE |
|----------|---------------------|-----------------------|---------------------|
| LSMW30SE | 27K 2700K | 16 16 Ft. | 24 24V DC |
| | 30K 3000K | 32 32 Ft. | |
| | 40K 4000K | 1XX per Ft. | |
| | 50K 5000K | | |
| | 60K 6000K | | |

LSMW-30SE

3.0W SIDE-EMITTING OUTDOOR FLEXIBLE LED STRIP

DIMENSIONS



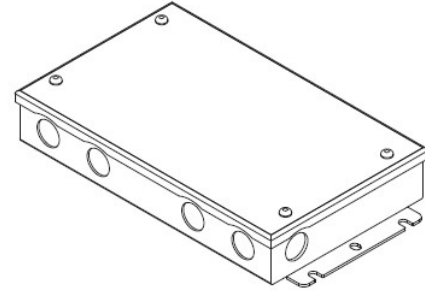
LSMW-30SE

3.0W SIDE-EMITTING OUTDOOR FLEXIBLE LED STRIP

COMPATIBLE TRANSFORMERS

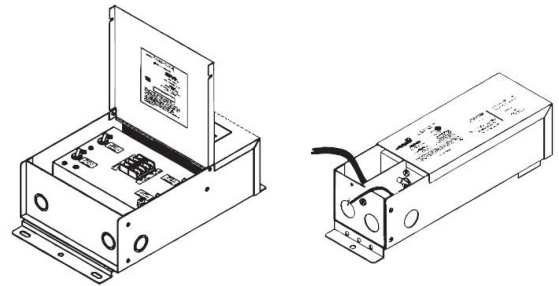
PSDL SERIES TRIAC DIMMABLE

| | | |
|---------------|---------|------------------------|
| PSDL-30W-24V | CLASS 2 | 6.5" X 3.63" X 1.03" |
| PSDL-60W-24V | CLASS 2 | 7.4" X 3.63" X 1.03" |
| PSDL-96W-24V | CLASS 2 | 8.67" X 3.67 X 1.62" |
| PSDL-150W-24V | | 8.67" X 3.67" X 1.62" |
| PSDL-192W-24V | CLASS 2 | 10.25" X 4.06" X 1.82" |
| PSDL-200W-24V | | 10.25" X 4.06" X 1.82" |
| PSDL-288W-24V | CLASS 2 | 10.25" X 4.06" X 1.82" |
| PSDL-300W-24V | | 10.25" X 4.06" X 1.82" |



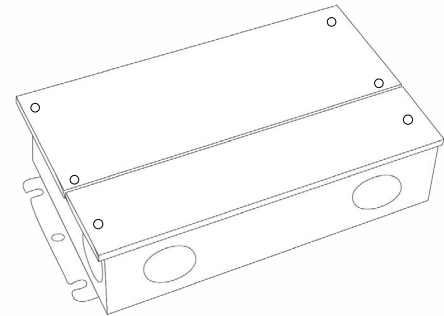
PSDH SERIES HIGH PERFORMANCE MAGNETIC LOW VOLTAGE (MLV)

| | | |
|---------------|---------|------------------------|
| PSDH-48W-24V | CLASS 2 | 11.25" X 3.37" X 3.25" |
| PSDH-96W-24V | CLASS 2 | 11.25" X 3.37" X 3.25" |
| PSDH-288W-24V | CLASS 2 | 14.25" X 8.43" X 4.43" |



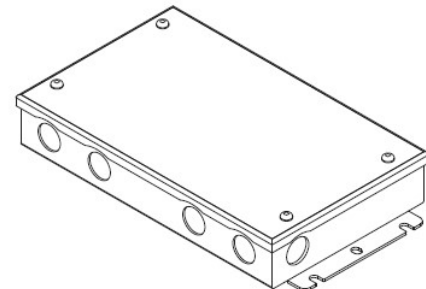
PSRX SERIES 4-IN-1 DIMMING DRIVER

| | | |
|---------------|---------|------------------------|
| PSRX-30W-24V | CLASS 2 | 6.5" X 3.72" X 1.57" |
| PSRX-60W-24V | CLASS 2 | 7.4" X 3.72" X 1.57" |
| PSRX-96W-24V | CLASS 2 | 8.66" X 3.72" X 1.57" |
| PSRX-150W-24V | | 10.24" X 4.13" X 1.77" |
| PSRX-192W-24V | CLASS 2 | 11" X 4" X 1.82" |
| PSRX-200W-24V | | 10.24" X 4.13" X 1.77" |
| PSRX-288W-24V | CLASS 2 | 11.85" X 4.25" X 1.82" |
| PSRX-300W-24V | | 10.94" X 4.33" X 1.77" |



PSVT SERIES 0-10V DIMMING DRIVER

| | | |
|---------------|---------|------------------------|
| PSVT-60W-24V | CLASS 2 | 7.4" X 3.72" X 1.57" |
| PSVT-96W-24V | CLASS 2 | 8.66" X 3.72" X 1.57" |
| PSVT-200W-24V | | 10.24" X 4.13" X 1.77" |
| PSVT-288W-24V | CLASS 2 | 11.85" X 4.25" X 1.81" |
| PSVT-300W-24V | | 10.94" X 4.33" X 1.77" |



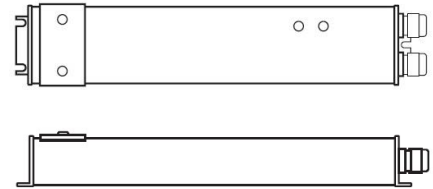
LSMW-30SE

3.0W SIDE-EMITTING OUTDOOR FLEXIBLE LED STRIP

COMPATIBLE TRANSFORMERS

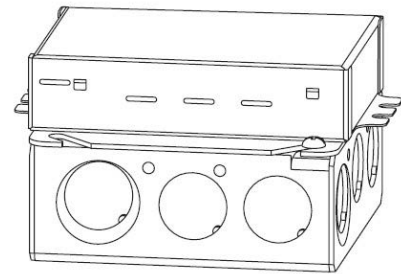
PSDE SERIES
0-10V DIMMING W/ JUNCTION BOX

| | | |
|---------------------|---------|----------------------|
| PSDE-60W-24V-010-JB | CLASS 2 | 12.1" X 2.36" X 1.4" |
| PSDE-96W-24V-010-JB | CLASS 2 | 12.1" X 2.36" X 1.4" |



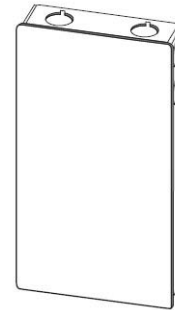
LUTRON 1%
3-WIRE DIMMING

| | | |
|------------------|---------|--------------------|
| L3DA4U1UKL-CV240 | CLASS 2 | 4.0" X 1.5" X 4.0" |
|------------------|---------|--------------------|



LUTRON 1%
3-WIRE DIMMING

| | | |
|------------------|---------|---------------------|
| PSDE-96W-24V-ECO | CLASS 2 | 10.5" X 3.0" X 2.0" |
|------------------|---------|---------------------|



COMPATIBLE NON-DIMMING DRIVERS

PSHK SERIES
NON-DIMMING CONSTANT VOLTAGE WITH JUNCTION BOX

| | | |
|---------------|---------|------------------------|
| PSHK-30W-24V | CLASS 2 | 6.5" X 3.6" X 1.02" |
| PSHK-60W-24V | CLASS 2 | 7.4" X 3.62" X 1.02" |
| PSHK-96W-24V | CLASS 2 | 8.66" X 3.66" X 1.61" |
| PSHK-150W-24V | | 10.24" X 4.06" X 1.81" |
| PSHK-200W-24V | | 10.24" X 4.06" X 1.81" |
| PSHK-288W-24V | CLASS 2 | 11.85" X 4.25" X 1.82" |
| PSHK-300W-24V | | 10.24" X 4.25" X 1.81" |

