

# LSM-30SE

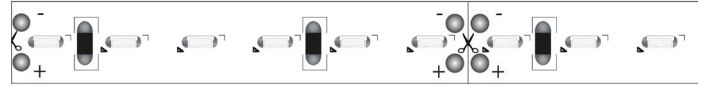
## 3.0W SIDE-EMITTING INDOOR FLEXIBLE LED STRIP

Project \_\_\_\_\_

Location \_\_\_\_\_

Quote/ Ref # \_\_\_\_\_

**LSM-30SE** is a dimmable, flexible LED strip that features a light projection that shines parallel (90°) to the application surface. It is specifically designed as a hidden source of light that provides reveal lighting or as a grazing effect on a surface. Perfect for coves, curved applications, domes, counters and tight spaces.



### SPECIFICATIONS

INPUT VOLTAGE	24V DC
POWER CONSUMPTION	3W per Ft.
NO. OF LEDS	36 LEDs per Ft.
LUMEN OUTPUT	204 Lm/Ft. (40K)
CRI	95+
COLOR TEMPERATURE	27K / 30K / 40K / 50K / 60K
DIMMING	MLV, ELV, 0-10V and TRIAC
MAXIMUM RUN LENGTH	24 Ft.
CUTTABLE	Every 1.96 in (49.9mm)
BINNING	1.5 Step Macadam Elipse
OPERATING TEMPERATURE	-40°F (-40°C) ~ +140°F (+60°C)
BEAM ANGLE	120°
IP RATING	IP45 dry location (Indoor)
CERTIFICATIONS	UL Listed, TITLE 24 JA8
LUMEN MAINTENANCE	50,000 Hrs.

### LUMENS

CCT	LM/ FT	CRI	R9	R13
2700K	188	89	44	996
3000K	201	90	65	94
4000K	204	93	86	93

\*Approved for closet / storage space installation per NEC 410.16(A)(3) and 410.16(C)(5)

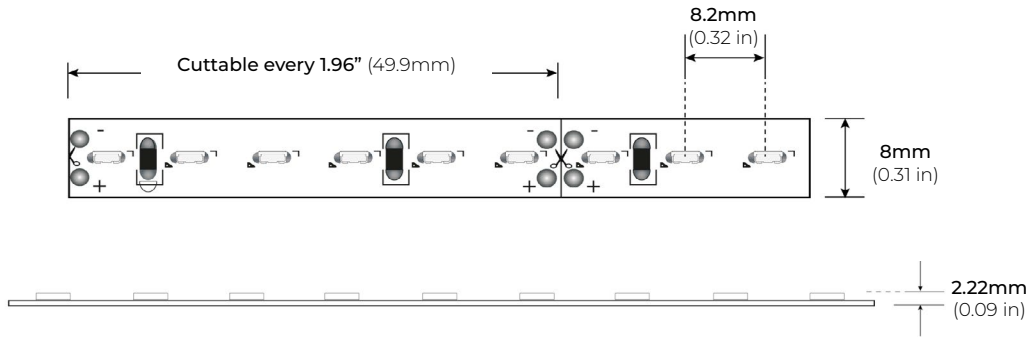


MODEL	COLOR TEMP	LENGTH	VOLTAGE
LSM30SE	<b>27K</b> 2700K	<b>16</b> 16 Ft.	<b>24V</b> 24V DC
	<b>30K</b> 3000K	<b>100</b> 100 Ft.	
	<b>40K</b> 4000K	<b>1XX</b> per Ft.	
	<b>50K</b> 5000K		
	<b>60K</b> 6000K		
		*1 = Custom length per FT. (Cuttable every 1.96")	

# LSM-30SE

## 3.0W SIDE-EMITTING INDOOR FLEXIBLE LED STRIP

### DIMENSIONS



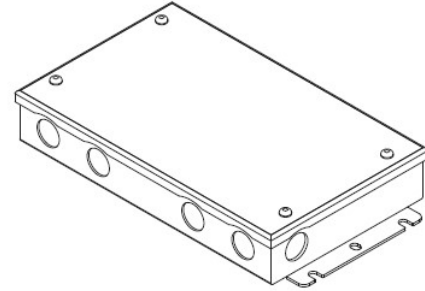
# LSM-30SE

## 3.0W SIDE-EMITTING INDOOR FLEXIBLE LED STRIP

### COMPATIBLE TRANSFORMERS

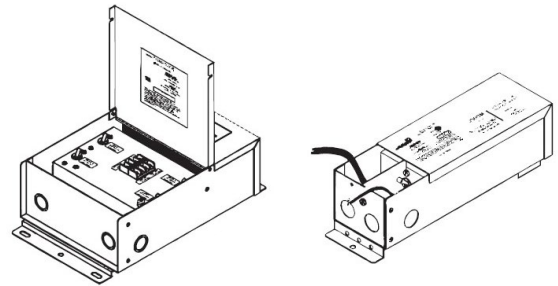
#### PSDL SERIES TRIAC DIMMABLE

PSDL-30W-24V	CLASS 2	6.5" X 3.63" X 1.03"
PSDL-60W-24V	CLASS 2	7.4" X 3.63" X 1.03"
PSDL-96W-24V	CLASS 2	8.67" X 3.67 X 1.62"
PSDL-150W-24V		8.67" X 3.67" X 1.62"
PSDL-192W-24V		10.25" X 4.06" X 1.82"
PSDL-200W-24V		10.25" X 4.06" X 1.82"
PSDL-288W-24V		10.25" X 4.06" X 1.82"
PSDL-300W-24V		10.25" X 4.06" X 1.82"



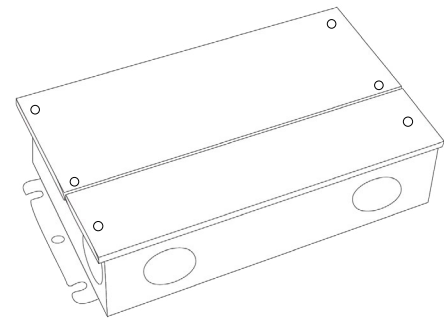
#### PSDH SERIES HIGH PERFORMANCE MAGNETIC LOW VOLTAGE (MLV)

PSDH-48W-24V	CLASS 2	11.25" X 3.37" X 3.25"
PSDH-96W-24V	CLASS 2	11.25" X 3.37" X 3.25"
PSDH-288W-24V	CLASS 2	14.25" X 8.43" X 4.43"



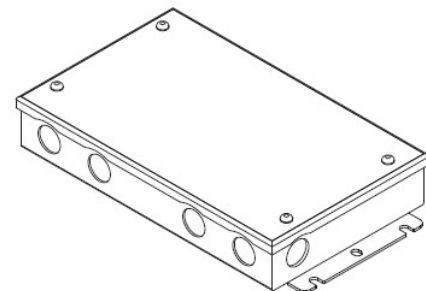
#### PSRX SERIES 4-IN-1 DIMMING DRIVER

PSRX-30W-24V	CLASS 2	6.5" X 3.72" X 1.57"
PSRX-60W-24V	CLASS 2	7.4" X 3.72" X 1.57"
PSRX-96W-24V	CLASS 2	8.66" X 3.72" X 1.57"
PSRX-150W-24V		10.24" X 4.13" X 1.77"
PSRX-192W-24V	CLASS 2	11" X 4" X 1.82"
PSRX-200W-24V		10.24" X 4.13" X 1.77"
PSRX-288W-24V	CLASS 2	11.85" X 4.25" X 1.82"
PSRX-300W-24V		10.94" X 4.33" X 1.77"



#### PSVT SERIES 0-10V DIMMING DRIVER

PSVT-60W-24V	CLASS 2	7.4" X 3.72" X 1.57"
PSVT-96W-24V	CLASS 2	8.66" X 3.72" X 1.57"
PSVT-200W-24V		10.24" X 4.13" X 1.77"
PSVT-288W-24V	CLASS 2	11.85" X 4.25" X 1.81"
PSVT-300W-24V		10.94" X 4.33" X 1.77"



# LSM-30SE

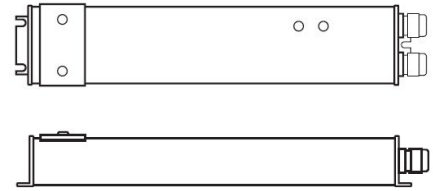
## 3.0W SIDE-EMITTING INDOOR FLEXIBLE LED STRIP

### COMPATIBLE TRANSFORMERS

---

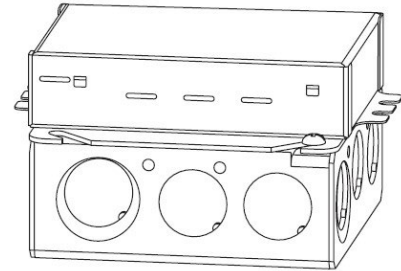
PSDE SERIES  
0-10V DIMMING W/ JUNCTION BOX

PSDE-60W-24V-010-JB      CLASS 2    12.1" X 2.36" X 1.4"  
PSDE-96W-24V-010-JB      CLASS 2    12.1" X 2.36" X 1.4"



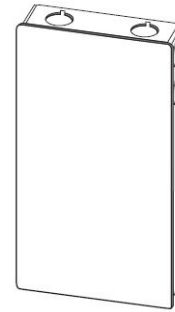
LUTRON 1%  
3-WIRE DIMMING

L3DA4U1UKL-CV240      CLASS 2    4.89" X 4" X 2.62"



LUTRON 1%

PSDE-96W-24V-ECO      CLASS 2    10.5" X 3.0" X 2.0"



### COMPATIBLE NON-DIMMING DRIVERS

---

PSHK SERIES  
NON-DIMMING CONSTANT VOLTAGE WITH JUNCTION BOX

PSHK-30W-24V      CLASS 2    6.5" X 3.6" X 1.02"  
PSHK-60W-24V      CLASS 2    7.4" X 3.62" X 1.02"  
PSHK-96W-24V      CLASS 2    8.66" X 3.66" X 1.61"  
PSHK-150W-24V                 10.24" X 4.06" X 1.81"  
PSHK-200W-24V                 10.24" X 4.06" X 1.81"  
PSHK-288W-24V      CLASS 2    11.85" X 4.25" X 1.82"  
PSHK-300W-24V                 10.94" X 4.25" X 1.81"

