

ALP-3100TLX

RECESSED "MUD-IN" TRIMLESS LED PROFILE

Project _____

Location _____

Quote/ Ref # _____

The **ALP-3100TLX** is a 2" aperture architectural-grade LED profile designed for mud-in applications and compatible with LED strips up to 37.5mm (1.47") wide. Made from high quality aluminum, these extrusions provide superior thermal management for LED strips prolonging the lighting system's lifespan. It is manufactured with a patented frosted diffuser for maximum lumen output and wider beam distribution.



SPECIFICATIONS

TYPE	Recessed
LED STRIP	Fits up 37.5mm (1.47")
LENS OPTION	Frosted
AVAILABLE LENGTHS	49 in. / 98 in.
FINISH	Silver
CHANNEL	ALP3100TLX
LENS	ALP3000-LNX (Sold separately)
END CAP	ALP3000-EC (Sold separately)
STRAIGHT CONNECTOR	ALP-SC (Sold separately)

FEATURES

- Customizable
- Trimless, recessed design
- Designed for mud-in applications
- Protects LED systems from dust and other elements
- Dissipates heat from LED, prolonging its lifetime

* LED strips sold separately.

* Remote mounted power supply sold separately.

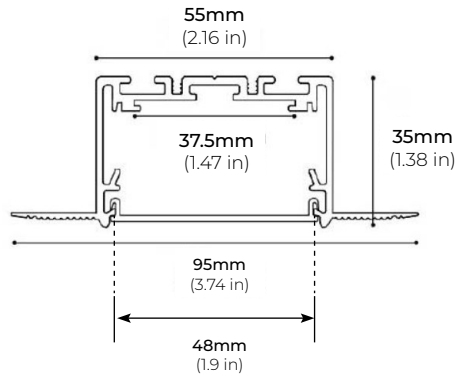


MODEL	LENGTH	LENS	FINISH
ALP3100TLX	49 49 in.	FR Frosted	SI Silver
	98 98 in.		CU Custom

ALP-3100TLX

RECESSED "MUD-IN" TRIMLESS LED PROFILE

DIMENSIONS



COMPATIBLE ACCESSORIES

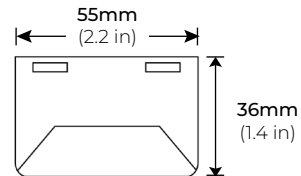
ALP3000-LNX LENS

*SOLD SEPARATELY



ALP3000-EC END CAP

*SET OF 2
*SOLD SEPARATELY



ALP-SC STRAIGHT CONNECTOR

*SOLD SEPARATELY

