

HP-PRO SERIES

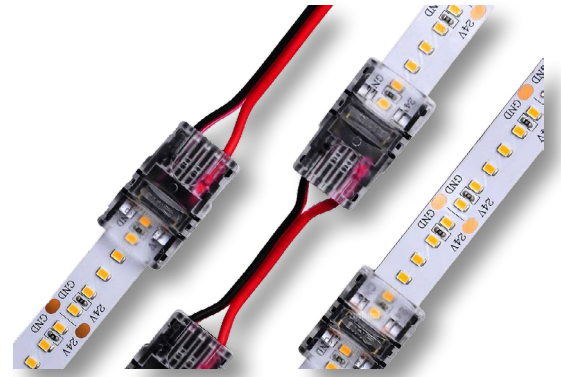
LED STRIP CONNECTORS

Project _____
Location _____
Quote/ Ref # _____

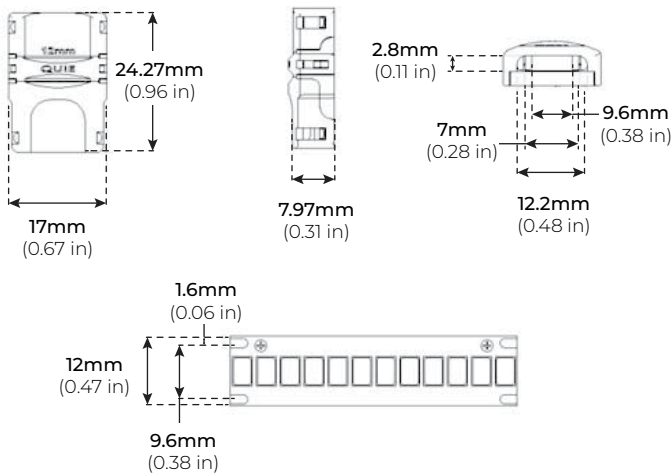
Use this solderless adapter to connect your LEDs to a power source or to another LED strip. The clear connector easily clamps onto strip ends and pigtail wire with out stripping insulation. A secure-snap closure holds wire and strip in place.

SPECIFICATIONS

TYPE	X12
INPUT VOLTAGE	12V/ 24V
MAX POWER	42W (12V) 84W (24V)
MAX RATING	3.5 Amps



DIMENSIONS



FEATURES

- Easy installation
- Creates a secure connection without the need for soldering
- Suitable for tape light to lead wire connections
- Suitable for tape light to tape light connections

COMPATIBLE TAPE LIGHTS: LSM-35WD | LSM-55WD | LSM-75HF

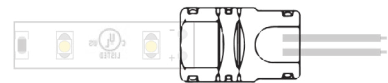
NON-COMPATIBLE PROFILES: ALU-SF | ALU-CN | ALP-20 | ALP-35 | ALP-40 | ALP-50K | ALP-50C | ALP-60 | ALP-65 | ALP-70



HARDWIRE CONNECTOR

Easy snap-on to hardwire connection from tape light to transformer

LSA-HW24-HPX12	24" Snap-on to hardwire connector
LSA-HW60-HPX12	60" Snap-on to hardwire connector



EXTENSION COUPLING

Easy snap-on connection between two LED strips

LSA-EX3-HPX12	3" Snap-on connection on both sides
LSA-EX8-HPX12	8" Snap-on connection on both sides
LSA-EX24-HPX12	24" Snap-on connection on both sides

