

ALP-90

SURFACE LED PROFILE

Project _____
Location _____
Quote/ Ref # _____

The **ALP-90** is an Architectural Grade LED extrusion profile designed for linear LED strips up to 20mm wide. Made from high quality aluminum, these extrusions provide superior thermal management for higher wattage LED strips and prolong the overall lifetime of your lighting system. The ALP-90 is manufactured with a patented frosted diffuser for maximum lumen output and wide beam distribution. The ALP-90 also helps protect LED's from dust and other undesirable elements, which can shorten the lifetime of the LED.



SPECIFICATIONS

TYPE	Surface Profile
LED STRIP	Fits LED strips up to 20mm (0.79 in)
LENGTHS	48"/96"
FINISH	Black, Silver
LENS	Frosted (Included)
CHANNEL	ALP90
END CAP	ALP90-EC (Included)
MOUNTING CLIPS	ALP90-CL (Included)

FEATURES

- Fits LED strips up to 20mm (0.79 in) wide
- Frosted lens included with each profile
- Field Cuttable
- Approved for closet/ storage space installation per NEC 410.16(A)(3) and 410.16(C)(5)



MODEL	LENGTH	FINISH
ALP90	48 48 in.	BK Black
	*96 96 in.	SI Silver
		CU Custom Color (Powder Coat)

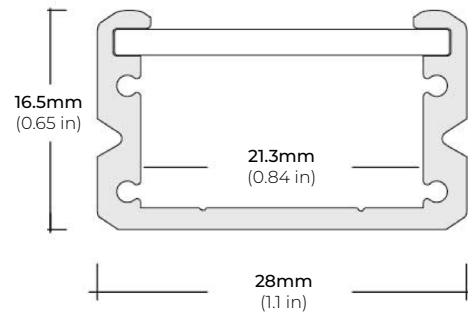
* Available only in Black

* Custom color finishes require powder coating. Allow 4 weeks lead time.

ALP-90

SURFACE LED PROFILE

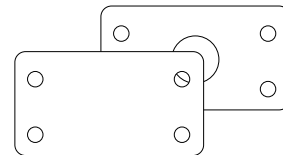
DIMENSIONS



ACCESSORIES

ALP90-EC END CAP

* Set of 2 (with and without Hole), Included



ALP90-CL MOUNTING CLIP

* Included

