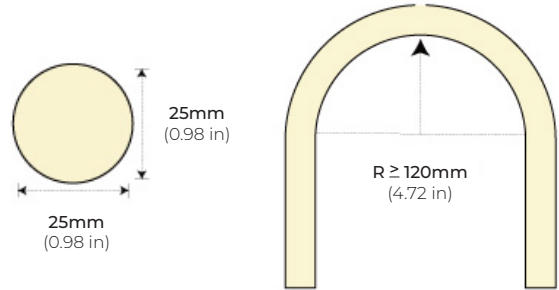


INSTALLATION GUIDE

DIMENSIONS



PRE-INSTALLATION

Surface/ Suspended Mount

Power input is 24V/ 48V. Confirm the source voltage is compatible.

Disconnect power source prior to installation.





SAFETY

Read all instructions before installation.

These products may represent a possible shock or fire hazard if improperly installed.

Do not look directly into light.

Do not submerge in water.

-  Product should be installed by a qualified electrician.
-  Product should be installed in accordance with these instructions and current electrical codes.
-  Must be installed with CORE Lighting Drivers
-  Product is 24V/ 48V. Do not connect to 120V power source.

VISIBLE MOUNTING CLIP INSTALLATION

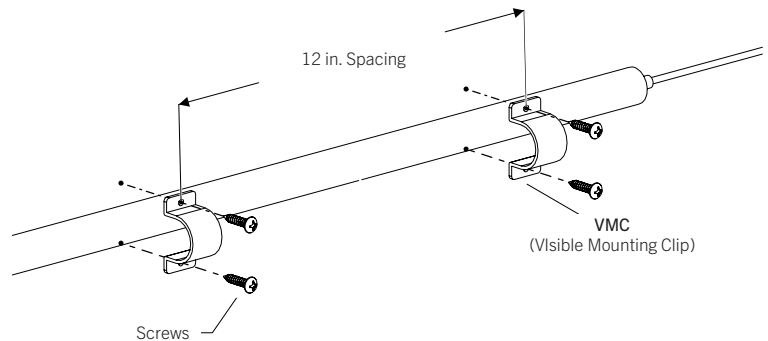
VMC

STEP 1 Position the Slinq against the mounting surface. Align to the mounting clips 12 inches apart.

STEP 2 Using the appropriate screws, secure the clips in place.

STEP 3 Repeat steps 1 and 2 the entire length of the fixture.

STEP 4 Connect the power feed to the power supply.



DISCREET MOUNTING BRACKET INSTALLATION

DMB

STEP 1

Position the mounting brackets against the mounting surface and secure in place with the appropriate screws. (Figure 1)

*Factory recommends positioning each bracket at least 12 inches apart.

STEP 2

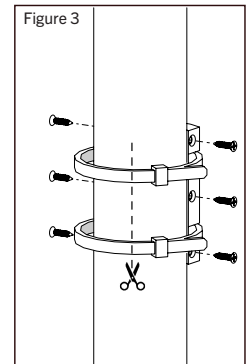
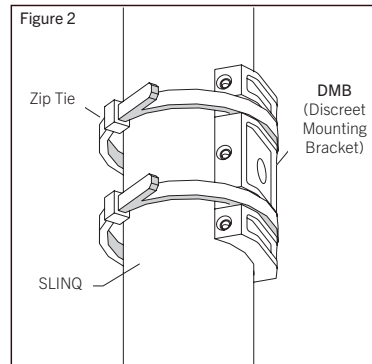
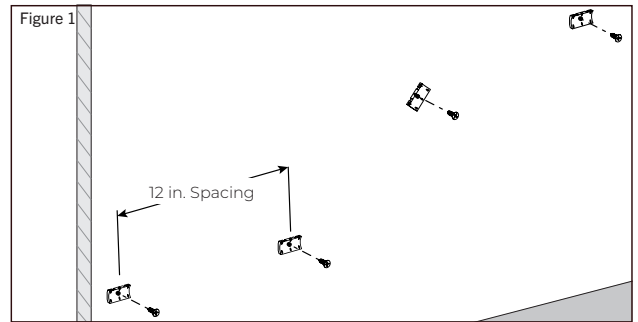
Align and press the fixture into the brackets one at a time. Temporarily secure in place with a zip tie. (Figure 2)

STEP 3

Secure the fixture to the mounting bracket using six screws per mounting bracket. Cut off the zip ties and repeat steps 1 through 3 down the entire length of the fixture. (Figure 3)

STEP 4

Connect the power feed to the power supply.



ARCH INSTALLATION

SLQ-25-AR

STEP 1

Determine the location of the mounting cap hanger and secure to the mounting surface with appropriate screws. (Figure 1)

Repeat step for the other end.

STEP 2

Feed the lead wire through the end cap and secure the fixture in place with screws. (Figure 2)

Repeat for the other end.

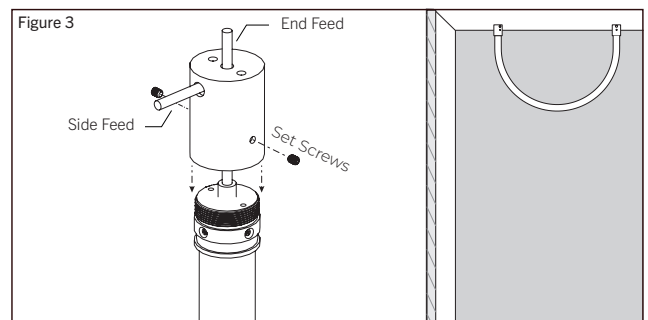
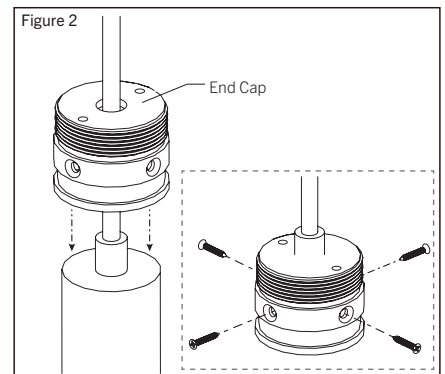
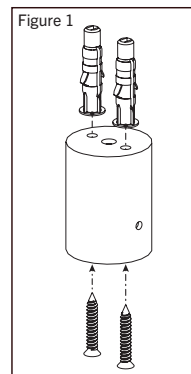
STEP 3

Feed the lead wire through the top or side hole of the hanger.

Secure the hanger to the endcap using set screws. (Figure 3)

STEP 4

Connect the power feed to the power supply.



SUSPENSION CABLE SUPPORT INSTALLATION
SLQ-25-SCS

STEP 1 Unscrew the gripper from the hanger. (Figure 1)

STEP 2 Mark the mounting surface and drill a 6mm hole for each mounting screw. (Figure 2)
It is recommended that each mounting point is atleast 29.5" apart from eachother. (Figure 2A)

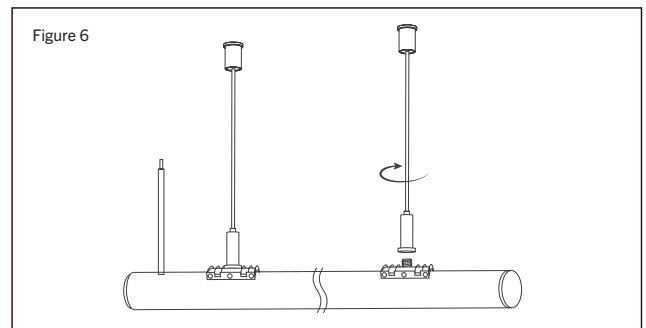
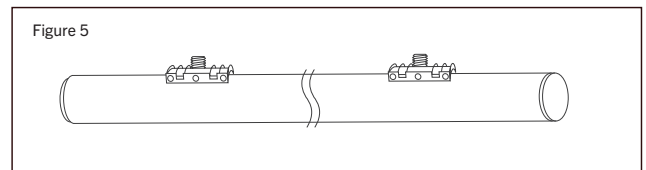
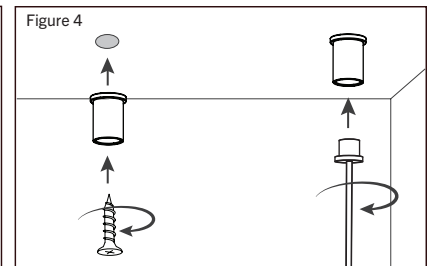
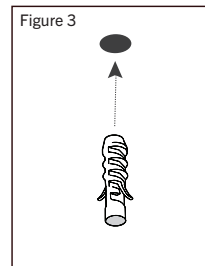
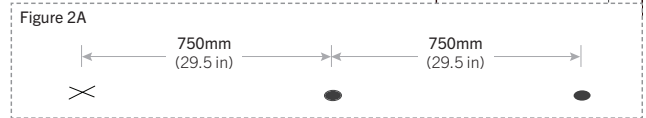
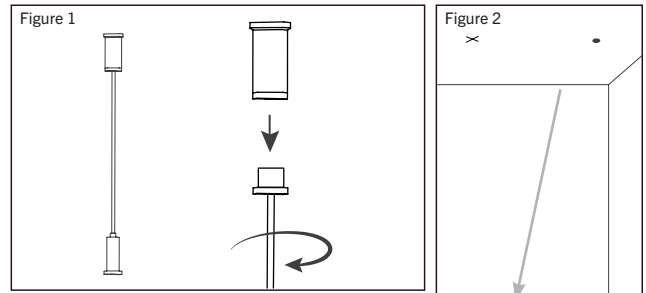
STEP 3 Push rubber screw plugs into the drilled holes. (Figure 3)

STEP 4 Secure the hanger to the mounting surface using the appropriate screws. Screw the cable gripper into the hanger. (Figure 4)

STEP 5 Slide the SLQ-25 into the clear tube. (Figure 5)
Repeat for each mounting point.

STEP 6 Screw cable onto mounting clip (Figure 6)

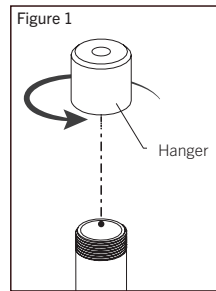
STEP 7 Connect the power feed to the main power supply.



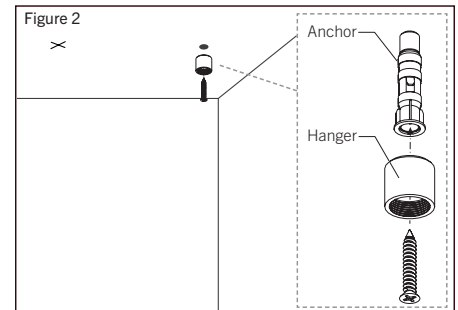
TELESCOPIC EXTENSION SUPPORT INSTALLATION

SLQ-25-TES

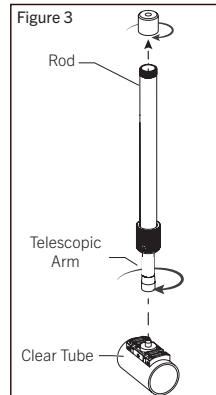
STEP 1 Unscrew the upper hanger. (Figure 1)



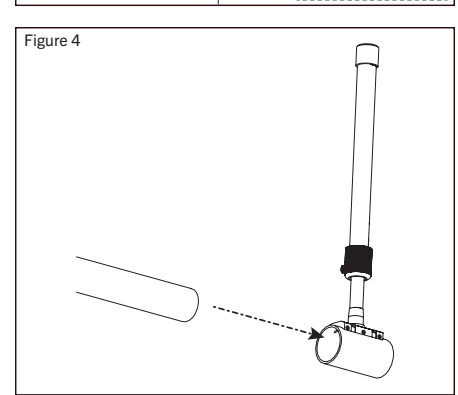
STEP 2 Drill a hole in the mounting surface and secure the hanger using the appropriate screws. (Figure 2)
*Drywall installation shown



STEP 3 Attach the clear tube to the bottom of the rod and screw onto the hanger. (Figure 3)



STEP 4 Set the telescopic arm to the desired length and orient the clear tube to the desired angle. Lock the position with a screw.



STEP 5 Slide the Slinq into the clear tube. (Figure 4)

STEP 6 Connect the power feed to the main power supply.

