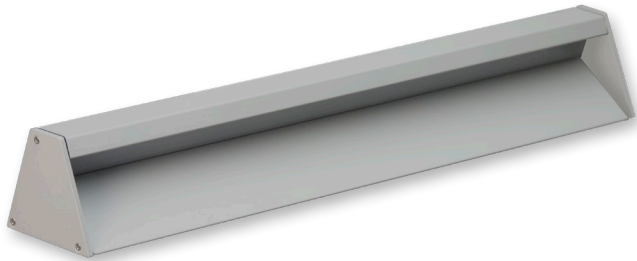
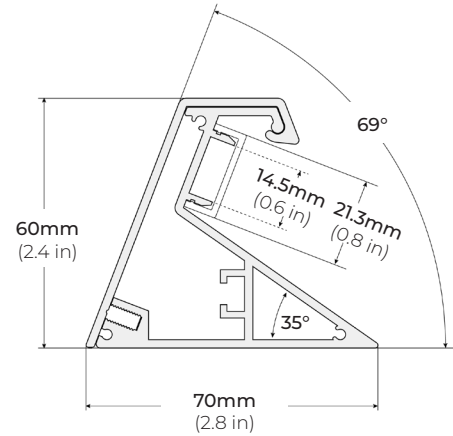


**INSTALLATION GUIDE**



**DIMENSIONS**



**PRE-INSTALLATION**

**Surface Mount**



Disconnect power source prior to installation.

**SAFETY**

Read all instructions before installation.

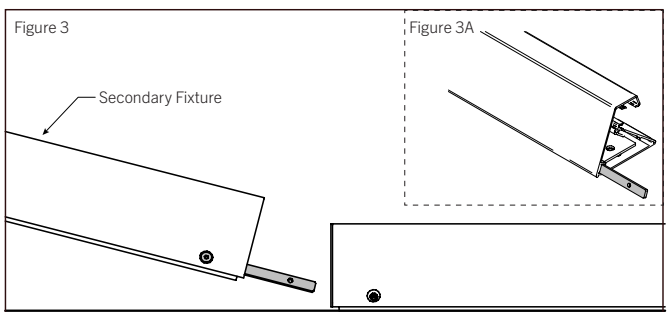
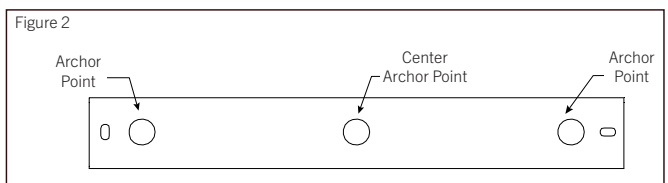
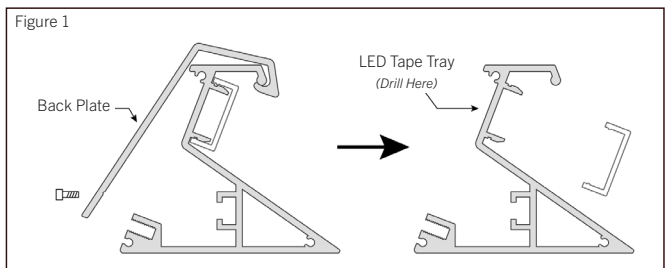
These products may present a possible shock, serious injury, or death if improperly installed.

Do not install within 10 ft or less from the nearest edge of a pool, spa, fountain, or similar location

-  Product should be installed by a qualified electrician.
-  Product should be installed in accordance with these instructions and current electrical codes.

**INSTALLATION**

- STEP 1** Using a screwdriver, remove the back plate of the Eris fixture.
- STEP 2** Remove the lens from the fixture and drill a powerfeed entry hole on either the left or right side of the tape light tray. (Figure 1)
- STEP 3** Drill a series of holes at the bottom of the fixture for anchors. (Figure 2)
- STEP 4** If creating an extended run, slide straight connector into side of the secondary fixture and secure in place with provided screws. (Figure 3A)



**INSTALLATION**

STEP 5

Align the secondary fixture with the main fixture and join together by sliding the exposed end of the connector into the main fixture. Secure in place with the provided screws. (Figure 3)

STEP 6

Feed the main power cable through the entry hole located on the base of the fixture. (Figure 4)

STEP 7

Secure Eris fixture to the ground with anchor screws. (Figure 5)  
\* Hardware and anchor not provided by factory.

STEP 8

Feed the tape light powerfeed through the previously drilled cable entry hole in the tape light tray. (Figure 6)

STEP 9

Remove adhesive backing of the LED Tape and attach to the LED Tape tray. Feed the tape light wire through the pre-drilled hole in the tray.

If there is no adhesive backing, attach the LED Tape to the tray using a layer of silicone adhesive on the back of the protective jacket of the LED tape. Use masking tape to hold the tape light in place until the silicone dries.

\*Make sure the LED strip is completely adhered to the fixture.

STEP 10

Connect the main power cable and tape wiring together.

STEP 11

Carefully press the lens back in place and reattach back plate with provided screws. (Figure 7)

STEP 12

Attach end caps and secure in place with provided screws. (Figure 8)

