

ALP-50C

SURFACE/ CORNER MOUNT PROFILE

Project _____

Location _____

Quote/ Ref # _____

The **ALP-50C** is an Architectural-grade LED extrusion designed for surface/ corner mount applications and can fit linear LED strips up to 16mm (0.63") wide. Made from high quality aluminum and manufactured with a patented frosted diffuser for maximum lumen output and wider beam distribution.



SPECIFICATIONS

TYPE	Surface/ Corner Mount
AVAILABLE LENGTHS	48 in./ 84 in./ 98.5 in.
FINISH	White/ Black/ Silver
LENS OPTION	Frosted
CHANNEL	ALP50C
LENS	ALP50C-LN (Frosted)
END CAP	ALP50C-EC
MOUNTING CLIPS	ALP50C-CL
WARRANTY	5 Years

FEATURES

- Customizable
- Durable, anodized aluminum
- Protects LED systems from dust and other elements
- Slim, low profile design
- Dissipates heat from LED, prolonging its lifetime
- Compatible with LED strips up to 16mm (0.63 in.) wide



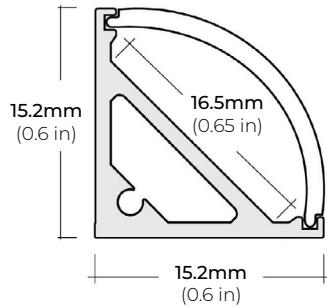
MODEL	LENGTH	LENS	FINISH
ALP50C	49 49 in.	FR Frosted Lens	WH White
	84 84 in.		BK Black
	98 98.5 in.		SI Silver
			CU Custom (Powder Coat)

* Custom color finishes require powder coating. Allow 7 days lead time.

ALP-50C

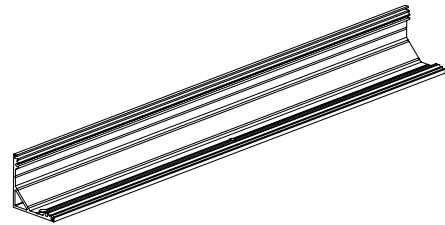
SURFACE/ CORNER MOUNT PROFILE

DIMENSIONS

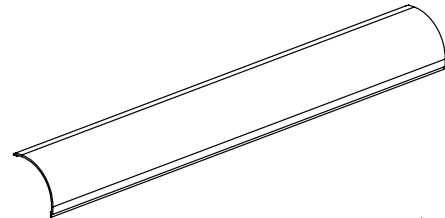


COMPATIBLE ACCESSORIES

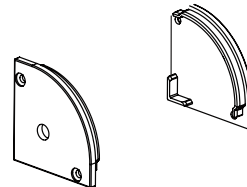
ALP50C
ALUMINUM CHANNEL



ALP50C-LN
PLASTIC LENS



ALP50C-EC
END CAP



ALP50C-CL
METAL MOUNTING CLIPS

