

ALP-2600TL

4" ANGLED TRIMLESS LED BASE

Project _____

Location _____

Quote/ Ref # _____

The **ALP-2600TL** is an Architectural Grade, trimless LED profile that installs into a 5/8" drywall, providing a seamless and continuous band of light at the base of the drywall partition.



SPECIFICATIONS

TYPE	Recessed/ Corner Mount
LED STRIP	Fits up 10mm (0.39")
LENS OPTION	Frosted
AVAILABLE LENGTHS	39 in. / 78 in.
FINISH	Matte White
CHANNEL	ALP2600TL
LENS	ALP2600TL-LN (Included)
STRAIGHT CONNECTOR	ALP-2000TL-STB
INTERNAL CONNECTOR	ALP-2000TL-INB

* LED strips sold separately.

* Remote mounted power supply sold separately.

FEATURES

- Field Cuttable
- Accommodates LED strips up to 10mm (0.39") wide
- Suitable for corner installations/ applications
- Frosted Lens diffuser included
- Dissipates heat from LED, prolonging its lifetime

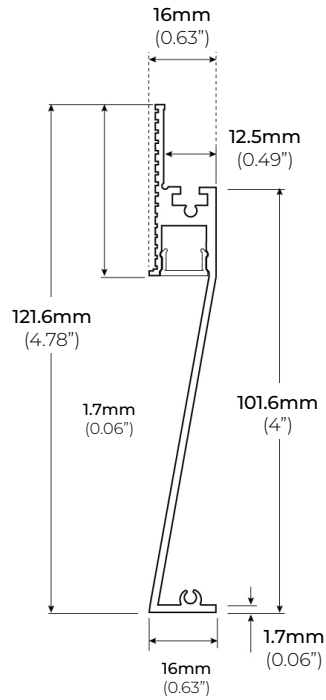


MODEL	LENGTH	LENS
ALP2600TL	39 39 in.	FR Frosted Lens
	78 78 in.	

ALP-2600TL

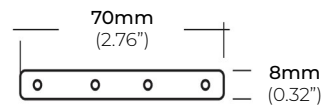
4" ANGLED TRIMLESS LED BASE

DIMENSIONS



COMPATIBLE ACCESSORIES

ALP-2000TL-STB
STRAIGHT CONNECTOR
*SOLD SEPARATELY



ALP-2000TL-INB
INTERNAL CONNECTOR
*SOLD SEPARATELY

