

ALP-24

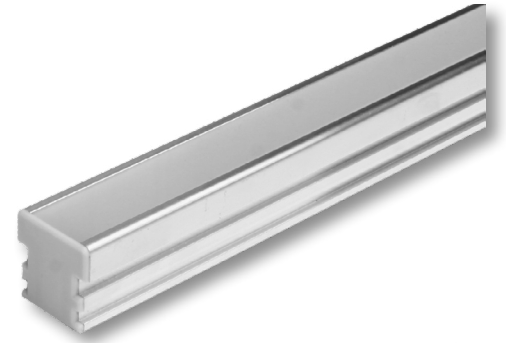
IN-GROUND (RECESSED) LED PROFILE

Project _____

Location _____

Quote/ Ref # _____

The **ALP-24** is an architectural-grade LED profile designed for IP67 in-ground applications like pavements, sidewalks and driveways. It comes with a polycarbonate frosted diffuser and certified for all types of weather, harsh climate and conditions. The frosted lens diffuser is UV resistant and durable enough for in-ground applications. Installing the ALP-24 requires silicone to achieve an IP67 rating.



SPECIFICATIONS

TYPE	Surface Mount
AVAILABLE LENGTHS	48 in./ 98 in.
FINISH	Anodized Aluminum
LENS OPTION	Frosted (Included)
MAXIMUM LOAD	5,000 lbs
CHANNEL	ALP24
LENS	ALP24-LN (Frosted)
END CAP	ALP24-EC
WARRANTY	5 Years

FEATURES

- Customizable
- Compatible with 14.5mm (0.57") wide LED strips
- Durable, anodized aluminum
- Frosted lens diffuser included
- Protects LED systems from dust and other elements
- Dissipates heat from LED, prolonging its lifetime
- Suitable for in-ground installations/ applications

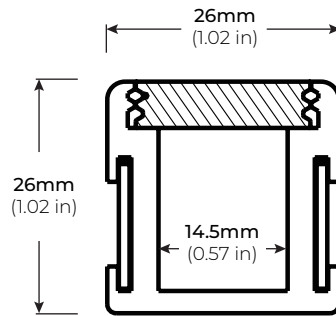


MODEL	LENGTH	LENS	FINISH
ALP24	48 48 in.	FR Frosted Lens	SI Silver
	98 98 in.		

ALP-24

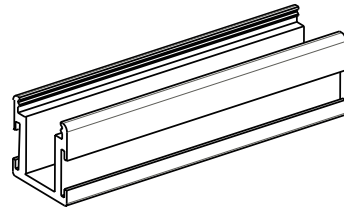
IN-GROUND (RECESSED) LED PROFILE

DIMENSIONS

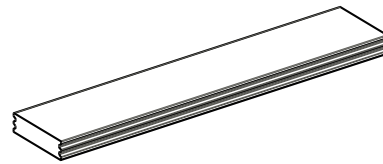


COMPATIBLE ACCESSORIES

ALP24
ALUMINUM CHANNEL



ALP24-LN
PLASTIC LENS
* INCLUDED



ALP24-EC
METAL END CAP
* TWO END CAPS INCLUDED

