

CIRCA-UNO

LED PENDANT

Project _____
Location _____
Quote/ Ref # _____

The **CIRCA-UNO Series** LED Ring pendant is an elegant circle LED lighting fixture that complies with current market and installation standards. Its unique structure makes installation fast and easy with connections hassle-free. The high efficiency lens diffuser provides a bright and even light. Available in different sizes and color temperatures. Ideal for offices, schools, hospitals, supermarkets, shopping malls, hotels and public areas.



SPECIFICATIONS

| | |
|-----------------------|-------------------------------|
| INPUT VOLTAGE | 110 - 277V |
| POWER CONSUMPTION | 35W 55W 75W 97W |
| SIZES | 24" 36" 48" 60" |
| LUMEN OUTPUT | 650 Lm/ Ft. — 90 Lm/ W |
| CRI | 90+ |
| COLOR TEMPERATURE | 27K/ 30K/ 35K/ 40K/ 50K |
| LED EFFICIENCY | 120-130 Lm/W |
| DIMMING | MLV, ELV, 0-10 and TRIAC |
| OPERATING TEMPERATURE | -40°F (-40°C) to 140°F (60°C) |
| BINNING | 1.5 Step Macadam Eclipse |
| BEAM ANGLE | 120° |
| IP RATING | IP54 Indoor |
| DIFFUSER | Silicone, 80% Transmittance |
| CERTIFICATIONS | UL Listed |
| LUMEN MAINTENANCE | 50,000 Hrs |

FEATURES

- 650 Lm./ Ft.
- 90+ CRI
- Pure aluminum body
- Suspension Fixture
- Suitable for accent or ambient lighting
- Multiple CCT options available
- UL Listed
- Dimmable with CORE Lighting dimmable drivers



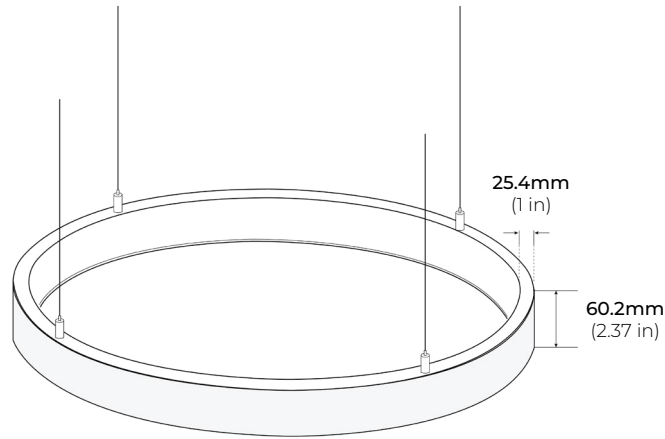
| MODEL | SIZE | COLOR TEMP | FINISH | DRIVER |
|--------|---------------------------|---------------------|---------------------|--|
| CSR200 | 24 24 In. 35W | 27K 2700K | BK* Black | EB PSDL Series TRIAC ELV Dimming |
| | 36 36 In. 55W | 30K 3000K | WH White | D10 PSDE-96W-24-010JB 0-10V Dimming |
| | 48 48 In. 75W | 35K 3500K | SI Silver | HL3E Lutron ECO 3-Wire |
| | 60 60 In. 97W | 40K 4000K | | |
| | | 50K 5000K | | |

* Quick Ship

CIRCA-UNO

LED PENDANT

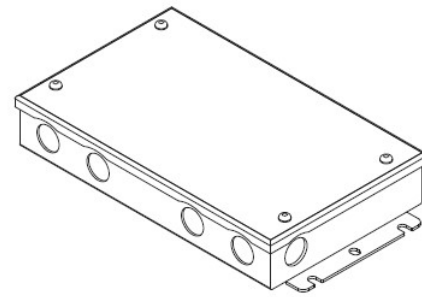
DIMENSIONS



COMPATIBLE DRIVERS

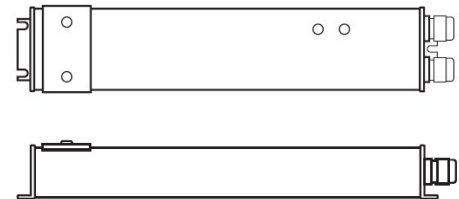
PSDL SERIES TRIAC DIMMABLE

| | | |
|---------------|---------|------------------------|
| PSDL-30W-24V | CLASS 2 | 6.5" X 3.63" X 1.03" |
| PSDL-60W-24V | CLASS 2 | 7.4" X 3.63" X 1.03" |
| PSDL-96W-24V | CLASS 2 | 8.67" X 3.67" X 1.62" |
| PSDL-150W-24V | | 8.67" X 3.67" X 1.62" |
| PSDL-192W-24V | CLASS 2 | 10.25" X 4.06" X 1.82" |
| PSDL-200W-24V | | 10.25" X 4.06" X 1.82" |
| PSDL-288W-24V | CLASS 2 | 10.25" X 4.06" X 1.82" |
| PSDL-300W-24V | | 10.25" X 4.06" X 1.82" |



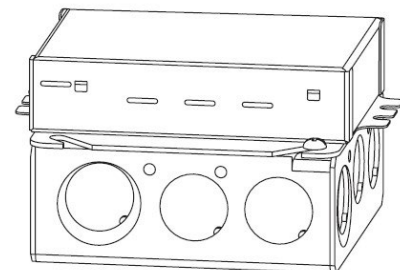
PSDE SERIES 0-10V DIMMING W/ JUNCTION BOX

| | | |
|---------------------|---------|----------------------|
| PSDE-60W-24V-010-JB | CLASS 2 | 12.1" X 2.36" X 1.4" |
|---------------------|---------|----------------------|



LUTRON 1% 3-WIRE DIMMING

| | | |
|------------------|---------|--------------------|
| L3DA4U1UKL-CV240 | CLASS 2 | 4.0" X 1.5" X 4.0" |
|------------------|---------|--------------------|



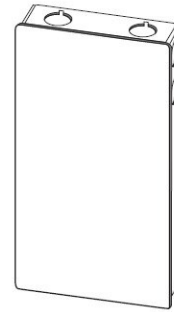
CIRCA-UNO

LED PENDANT

COMPATIBLE DRIVERS

LUTRON 1%

PSDE-96W-24V-ECO CLASS 2 10.5" X 3.0" X 2.0"



COMPATIBLE NON-DIMMING DRIVERS

PSHK SERIES

NON-DIMMING CONSTANT VOLTAGE WITH JUNCTION BOX

| | | |
|---------------|---------|------------------------|
| PSHK-30W-24V | CLASS 2 | 6.5" X 3.6" X 1.02" |
| PSHK-60W-24V | CLASS 2 | 7.4" X 3.62" X 1.02" |
| PSHK-96W-24V | CLASS 2 | 8.66" X 3.66" X 1.61" |
| PSHK-150W-24V | | 10.24" X 4.06" X 1.81" |
| PSHK-200W-24V | | 10.24" X 4.06" X 1.81" |
| PSHK-288W-24V | CLASS 2 | 11.85" X 4.25" X 1.82" |
| PSHK-300W-24V | | 10.24" X 4.25" X 1.81" |

