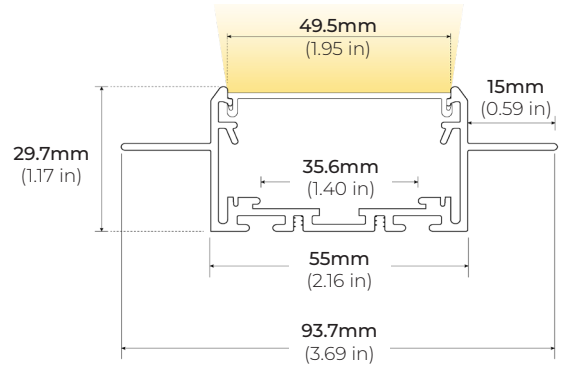


INSTALLATION GUIDE



DIMENSIONS



PRE-INSTALLATION

Trimless Mount

Disconnect power source prior to installation.

Do not secure this fixture by inserting the screw in the center of the channel.

Only secure by the side flange.

SAFETY

Read all instructions before installation.

These products may represent a possible shock or fire hazard if improperly installed.

Do not look directly into light.

This fixture is only suitable for indoor installation.



Product should be installed by a qualified electrician.



Product should be installed in accordance with these instructions and current electrical codes.

INSTALLATION

STEP 1 Measure cutout and mark where channel will be mounted.

STEP 2 Cut channel to desired length.

STEP 3 Mount/ Install ALP3200SCX profile.
Drill and countersink channel with screws.
** Make sure all screw heads are flush with the channel surface.*

