

RGB-CT850

RGBW Bluetooth Touch Panel Wall Controller

CORE
ARCHITECTURAL
LIGHTING

JOB NAME: _____
LOCATION: _____
QUOTE/REF#: _____



The **RGB-CT850** wall controller is a touch panel with Bluetooth 5.0 SIG Mesh technology. It's simple and elegant design is suitable for multi-scene and multi-zone lighting control applications.

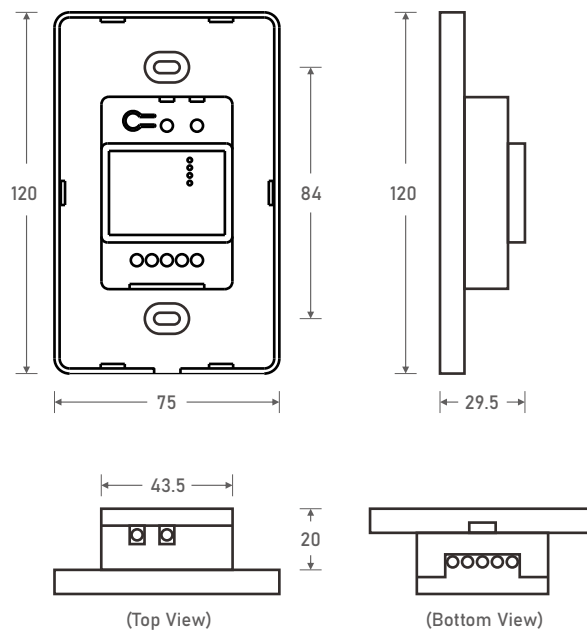
FEATURES

- Bluetooth 5.0 Mesh compatible
- Use with your smart phone
- 4 Zone
- 16 modes
- Touch control
- 12-24VDC

SPECIFICATIONS

CONTROL MODE	RGBW RGBW+W
INPUT VOLTAGE	12-24VDC, Class 2 Power Supply
WIRELESS PROTOCOL	Bluetooth 5.0 SIG Mesh
ZONES	4
WORKING TEMPERATURE	-20°C ~ 55°C
DIMENSIONS	(LxWxH) 120mm x 75mm x 30mm

DIMENSIONS



[DOWNLOAD THE APP](#)