

1 2 3 4 5 6 7 8

A

A

B

B

C

C

D

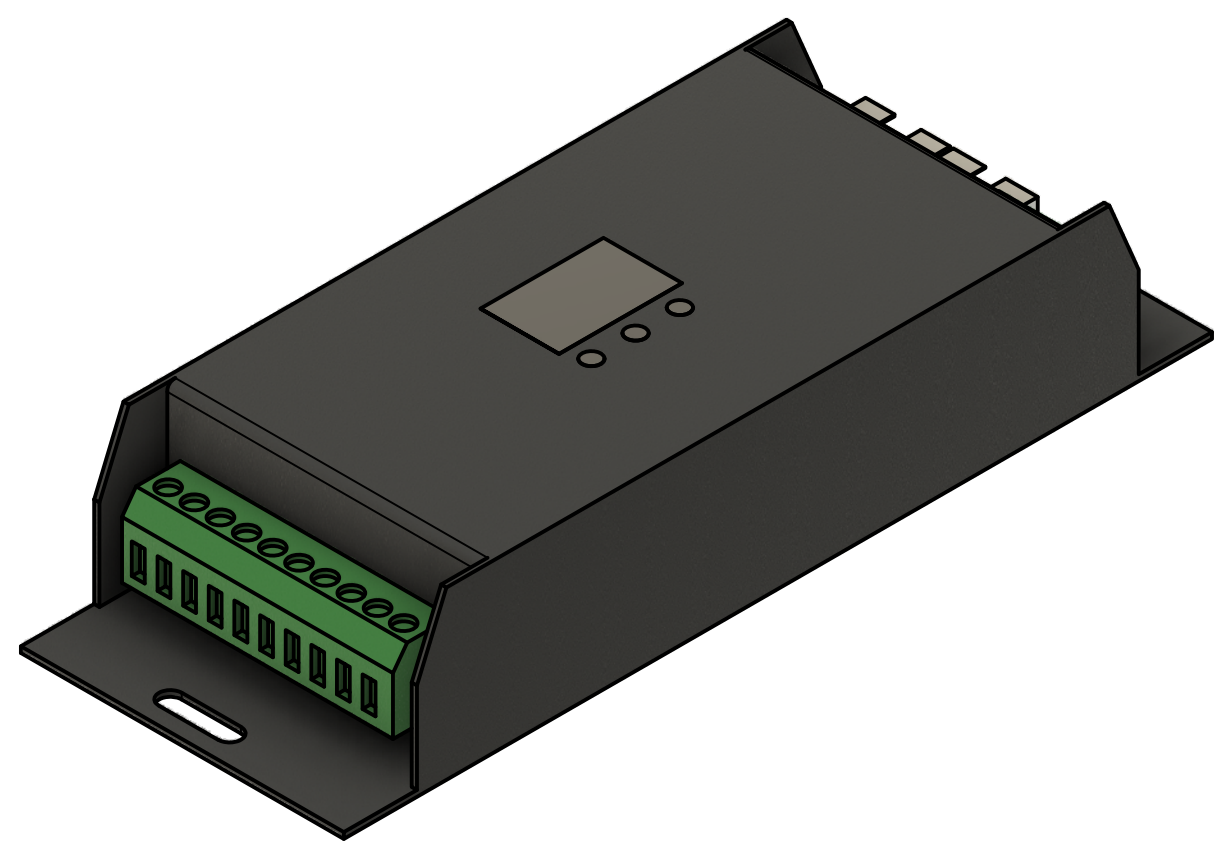
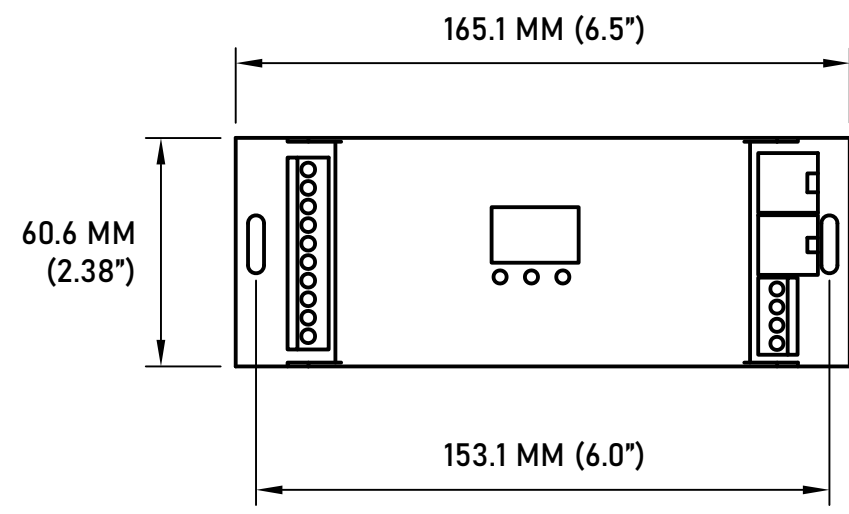
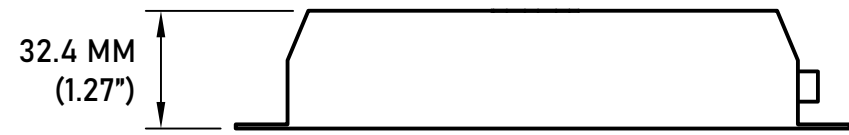
D

E

E

F

F



Dept.	Technical reference	Created by	Approved by	
		Document type	Document status	
		Title RGBDMX4CRJ45	DWG No.	
		Rev.	Date of issue	Sheet 1/1

1 2 3 4 5 6 7 8