

SPECIFICATION SHEET

JOB NAME: _____
 LOCATION: _____
 QUOTE/REF#: _____



The **ALP-2300TL** is an Architectural Grade, LED extrusion profile designed for recessed applications. Made from high quality aluminum, these extrusions provide superior thermal management for higher wattage LED strips prolonging the overall lifespan of the lighting system. Manufactured with a patented frosted diffuser for maximum lumen output and a wider beam distribution.

FEATURES

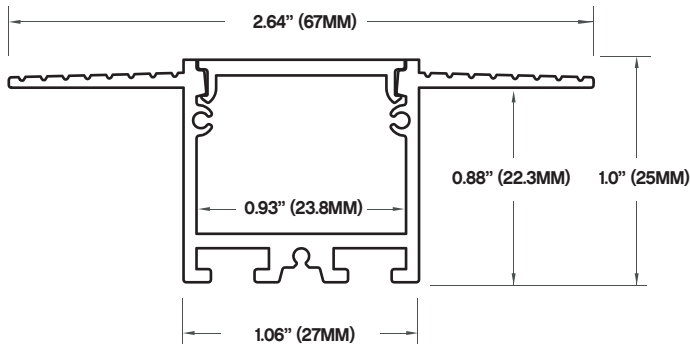
- Customizable
- Field cuttable
- 1" Aperture
- Accommodates LED strips up to 23mm wide
- Recessed mount to fit flush onto installation surface
- Frosted Lens diffuser included
- Matte white powder coated finish
- Durable, military grade aluminum
- Protects LEDs from dust and other elements
- Dissipates heat from LED

SPECIFICATIONS

TYPE	Recessed mount
AVAILABLE LENGTHS	48" & 96"
FINISH	Matte White
LENS OPTIONS	Frosted
APERTURE	1"
TRANSFORMER	Remote
Compatible with LED strips up to 0.93" (23.8mm) wide.	
LED strips sold separately	
Remote mounted low voltage power supply sold separately.	

COMPONENTS

CHANNEL	ALP-2300TL
LENS	ALP-2300TL-LN (included)
END CAP	ALP-2300TL-EC (sold separately)
STRAIGHT CONNECTOR	ALP-2000TL-STB (sold separately)
INTERNAL CONNECTOR	ALP-2000TL-L90 (sold separately)
Frosted lens diffuser included with every channel	
Custom color finishes available (powder coating - additional fees apply).	



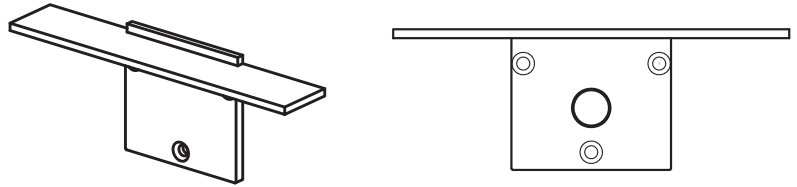
ORDERING GUIDE EX: ALP-2300TL-96-FR

ALP-2300TL		
MODEL	SIZE	LENS
	48 - 48" 96 - 96"	FR - Frosted Lens

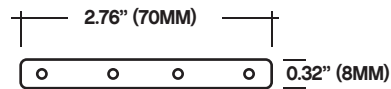
ALP-2300TL 1" Wide Aperture Trimless LED Profile

COMPATIBLE ACCESSORIES

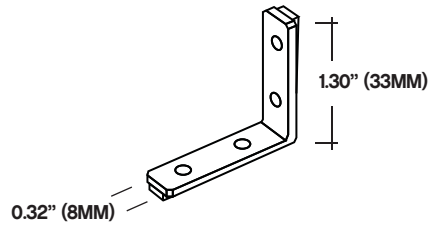
ALP2300TL-EC I END CAP
(sold separately)



ALP2000TL-STB I STRAIGHT CONNECTOR
(sold separately)



ALP2000TL-L90 I INTERNAL CONNECTOR
(sold separately)



ALP2000TL-INB I INTERNAL CONNECTOR
(sold separately)

